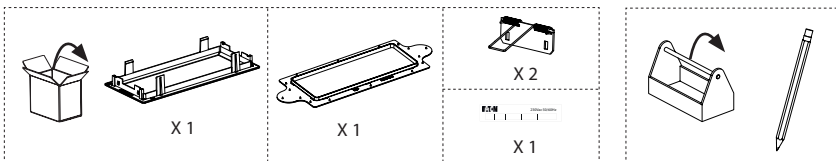
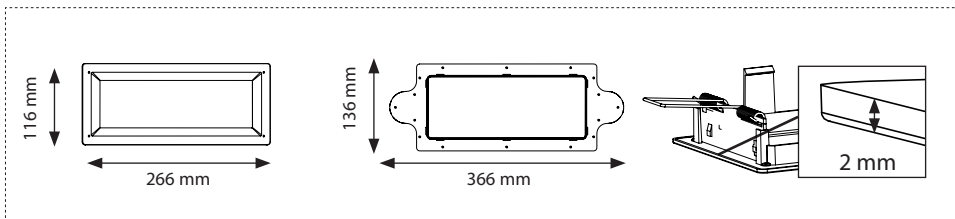
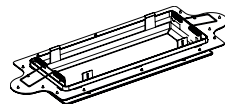


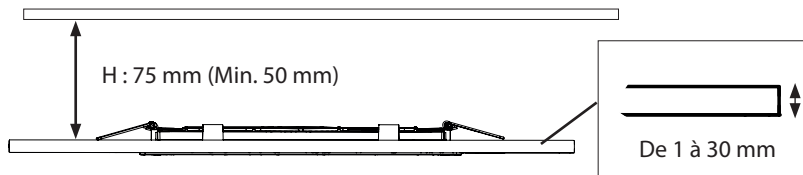
Recessed Kit FlexiTech

Compatible with FT1 EW & FT1 SU variants

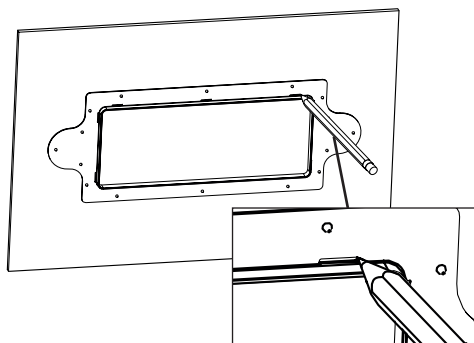
Cadre encastrement / Deckeneinbau-Kit



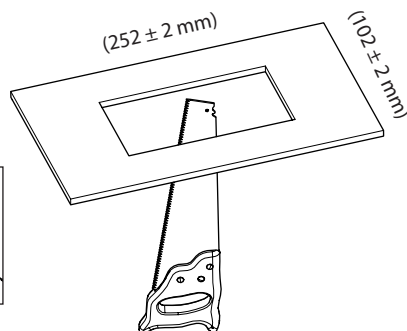
1



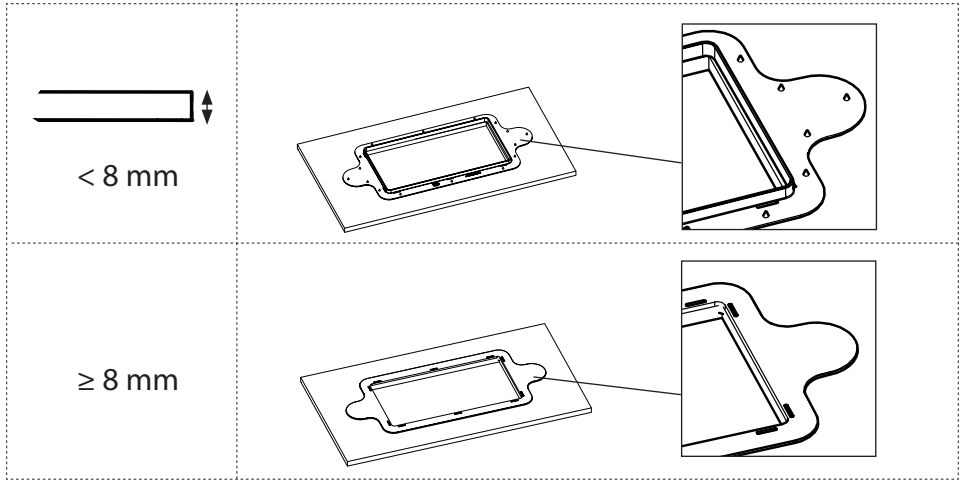
a



b

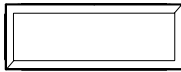


C



2

a



FT1 EW 12M
FT1 SU (Small)

b

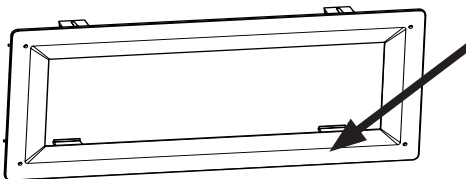


EATON 2101BA FlexTech 12m - FT1EW41CGL18
 COOPER SECURITE SAS 63204 RIOM
 Made in Romania

X	0/1	ABEFG		
230Vac / 50-60Hz		ta: 5-45°C		
Li 3.2V 0.6Ah		IP43 IK07		



C

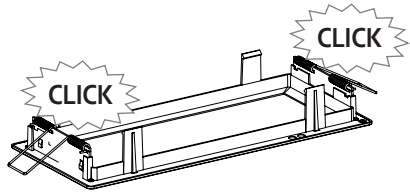
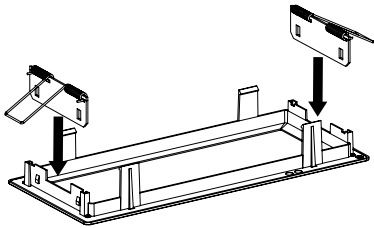


EATON 230Vac 50/60Hz

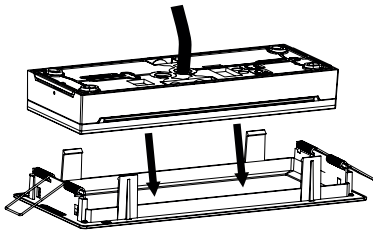
X	0/1	ABEFG	90	100lm
---	-----	-------	----	-------

3

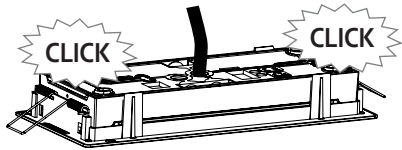
a



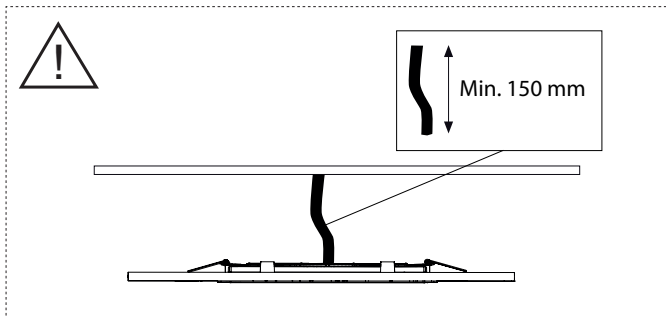
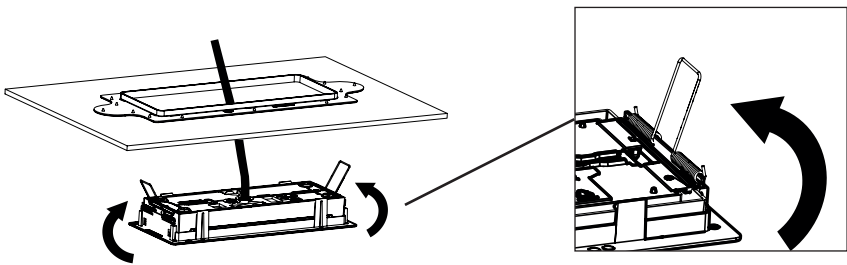
b



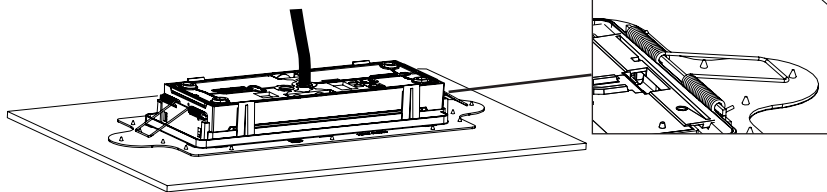
c



d



e



Eaton
Cooper Sécurité SAS
PEE II - Rue Beethoven - BP10184
63204 RIOM CEDEX FRANCE
Tél. +33 (0)825 826 212 (0,15 € TTC/min)
www.cooperfrance.com
www.eaton.com

Eaton
EMEA Headquarters
Route de la Longeraie 7
1110 Morges, Switzerland
Eaton.eu

© 2022 Eaton
All Rights Reserved



Eaton.com/recycling

ZNO2055500 B - 02/2022

Eaton is a registered trademark.

All trademarks are property
of their respective owners.



EATON

Powering Business Worldwide