

INSTALLATION AND OPERATING INSTRUCTIONS

SELF-CONTAINED ESCAPE SIGN

READ THESE INSTRUCTIONS CAREFULLY BEFORE INSTALLATION

This product is a fully self contained illuminated exit sign. It has an inbuilt battery, battery charger, controller and test button. The LED light source provides low power consumption and long lamp life. The acrylic panel is printed with a dot matrix lens effect pattern and overlaid with a polypropylene diffuser to provide high brilliance and even illumination over the full surface of the sign.

PRECAUTIONS

This product should be installed by a registered electrician in accordance with local standards and electrical regulations. Take care to ensure the mains supply is isolated before installation. Check the unit label for correct supply voltage and frequency.

INSTALLATION

The unit is designed surface wall, ceiling mounting and recessed ceiling mounting.

Remove the mounting bracket assembly housing by unscrewing the two retaining screws shown in Fig. 2.

Punch out one of the side or top centre knockouts to suit the position of cable entry. Install the mounting bracket bringing the mains supply cables in through the knockout hole.

Connect battery to charger PCB prior to connecting mains power. Screw housing back onto mounting bracket.

Adjust the length of the suspension wires to set the light at the desired mounting height. (0-10cm adjustable)

SERVICE & OPERATION

Normal Operation: The green indicator light on the side of the unit stays on. The LED will go out if the mains supply fails, if the internal charger malfunctions, or if the unit is in test mode.

Battery: Sealed Nickel-Cadmium rechargeable battery pack.



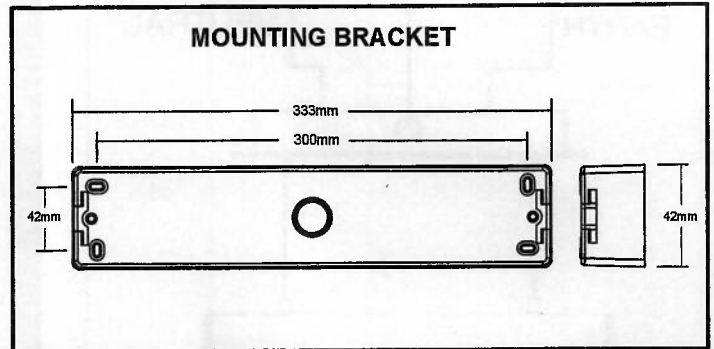
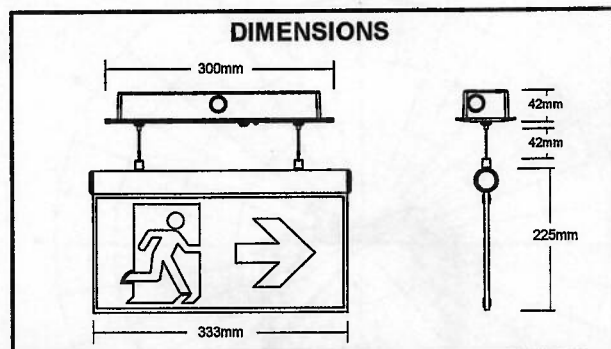
Batteries of a different type must not be used.

Battery's should be replaced by authorised service personnel only. If the unit no longer maintains its rated battery backup test times, should only be replaced by competent service personnel with manufacturers battery pack. Old battery's should be recycled.

Test Switch: If pressed the unit LED indicator light will go out and the sign will operate from its battery supply.

TECHNICAL DATA

- Enclosure** : Aluminium housing & polycarbonate end cap
 - Panel** : Acrylic board with dot imprinted dot matrix lens diffusion
 - Installation** : Wall mounting, ceiling mounting, side mounting
 - Power Supply** : 220-240VAC, 50 Hz
 - Power Consumption** : Max. 6W
 - Maximum Surface Temp** : 45°C
 - Ambient operating Temp** : 0°C - 25°C
- IP20
Class II LED product to EN 60825-1:1994+A2:2001+A1:2002



Mode	Charge Duration	Discharge Duration	Battery Type	Battery Voltage	Battery Capacity	Manual Test	Automatic Test	Infrared Ray
ESA02/LED/3H/20	24h	3 h	Ni-Cd	3.6 V	1000mAh	Yes	Yes	Yes
ESA02/LED/1H/20	24h	1 h	Ni-Cd	3.6 V	600mAh	Yes	Yes	Yes

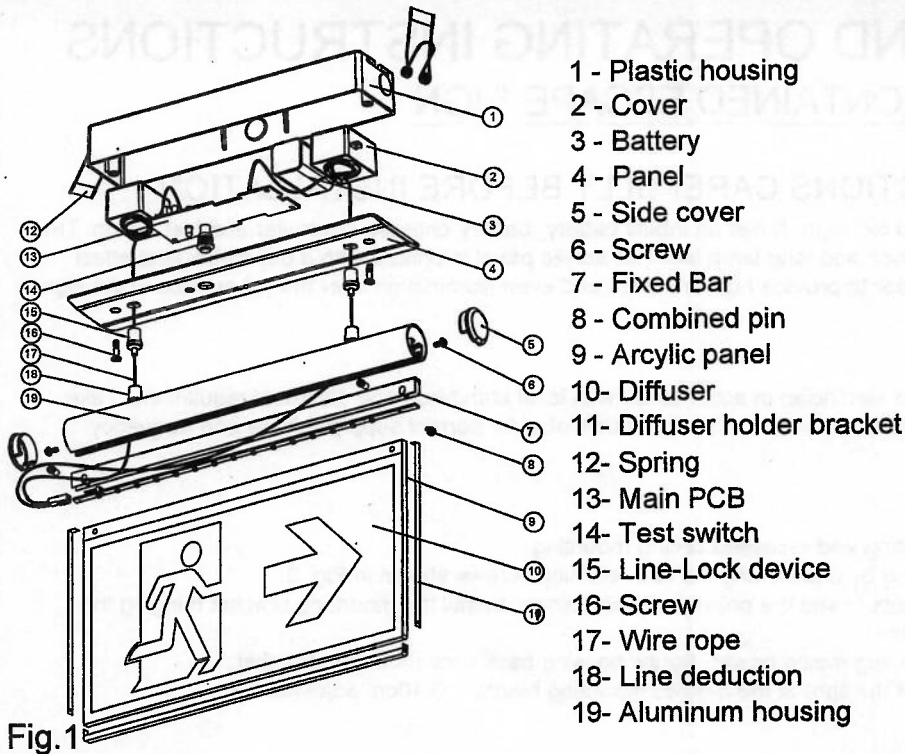


Fig.1

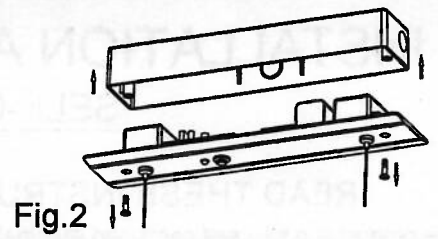


Fig.2

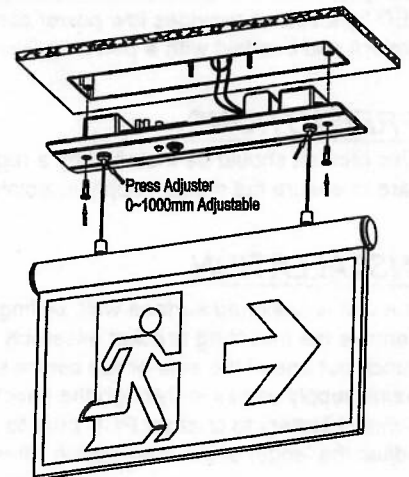


Fig.3

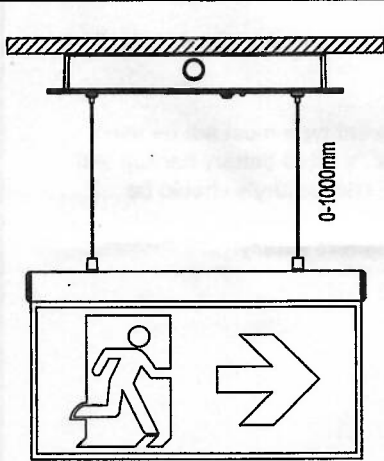


Fig.4 Ceiling Mounting

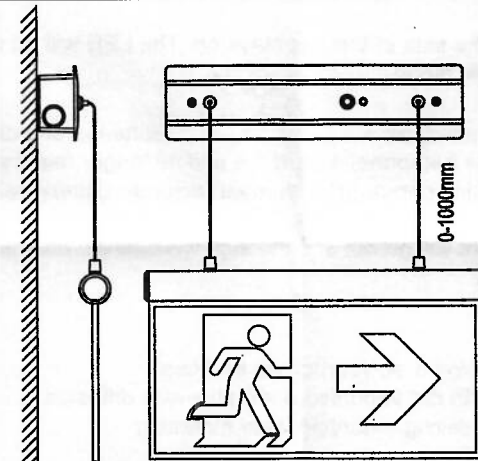


Fig.5 Wall Mounting

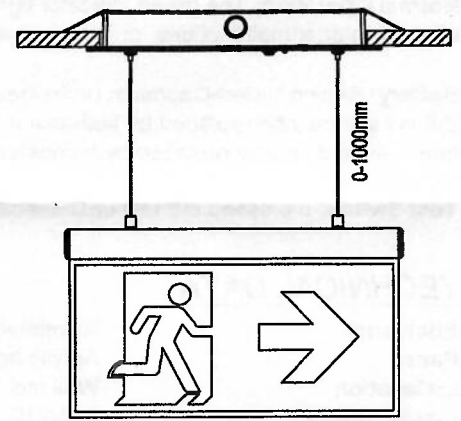


Fig.6 Recessed Mounting

Fig.7 Electrical Connection

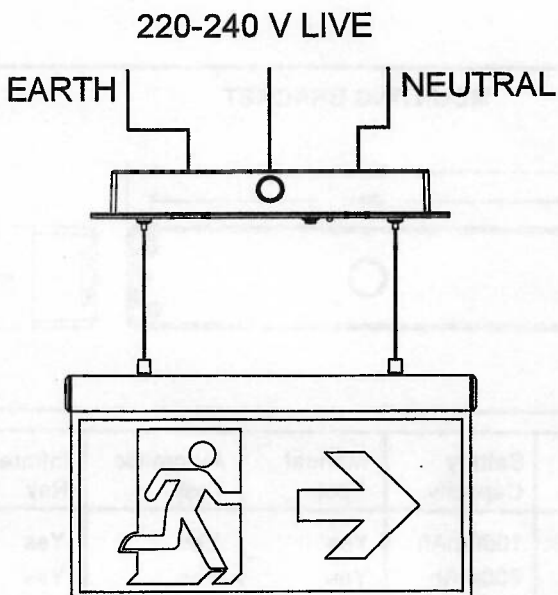
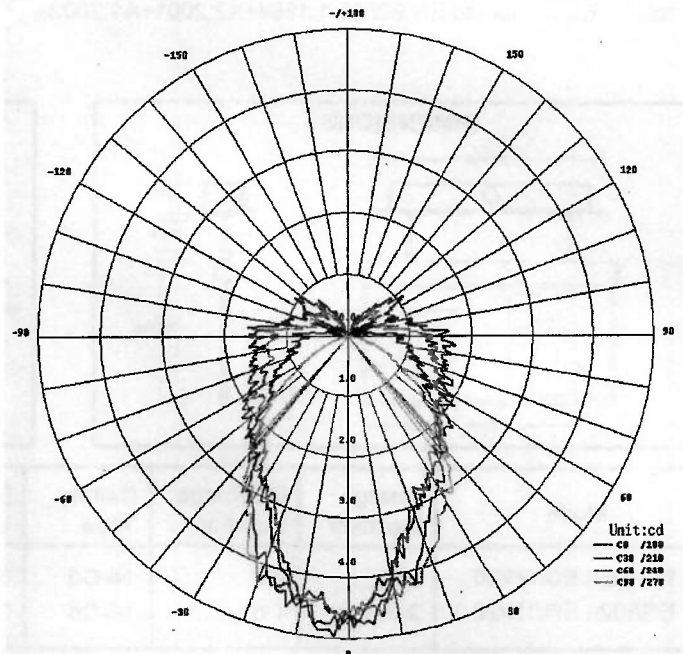


Fig.8 Photometrics



INSTRUCTIONS FOR AUTOMATIC TEST OPTION

(EXIT LIGHT SELF DIAGNOSTICS/SELF TEST FUNCTION)

1. Install LED exit sign according to installation instruction sheet
2. Once the unit is powered up it will automatically initiate a self test and diagnostics as follows:

- Every 4 seconds : Checks for battery disconnection, charger board fault, lamp failure and transformer failure
- Every month : Performs a 3 minute duration test
- Every year : Performs a 1 Hour or 3 Hour duration test

All test functions are factory preset and do not need field adjustment

3. Dual Colour Indicator LED Status Meanings

- Green Solid On Ready / Normal Operation
 Flashing Testing
- Red Requires Service

●	One flash, 4 second pause	Battery not connected
●●	Two flashes, 4 second pause	Battery short or low battery voltage
●●●	Three flashes, 4 second pause	Charger board fault
●●●●	Four flashes, 4 second pause	Transformer fault
●●●●●	Five flashes, 4 second pause	LED lamp fault

NOTE

After repairing a service fault, press and hold the test button for 2 seconds to reset the flashing indicator light to green

4. Manual Testing

Press test button once	30 second duration test
Press test button twice within 2 seconds	3 minute duration test
Press test button 3 times within 2 seconds	30 minutes duration test
Press test button 4 times within 2 seconds	1 or 3 hours duration test