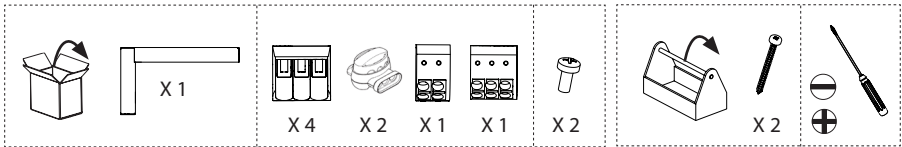
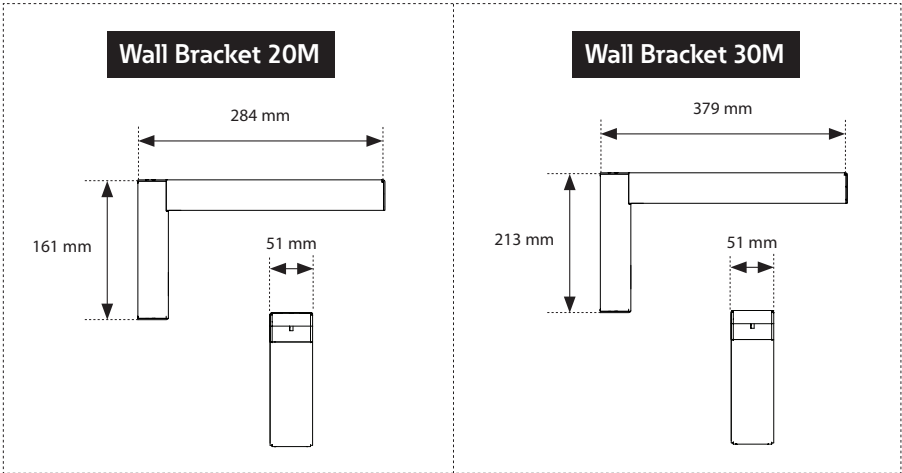
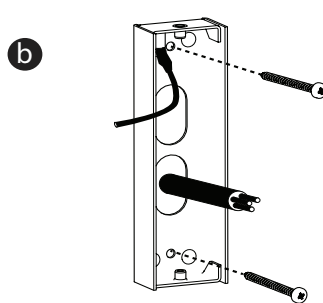
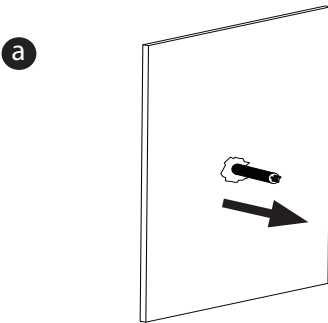


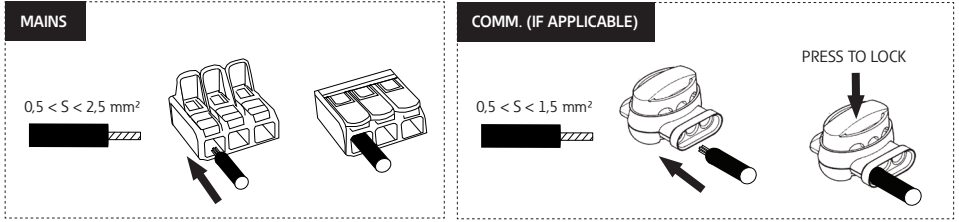
Wall Brackets 20M & 30M

Compatible with FlexiTech EC & CC, 20M & 30M

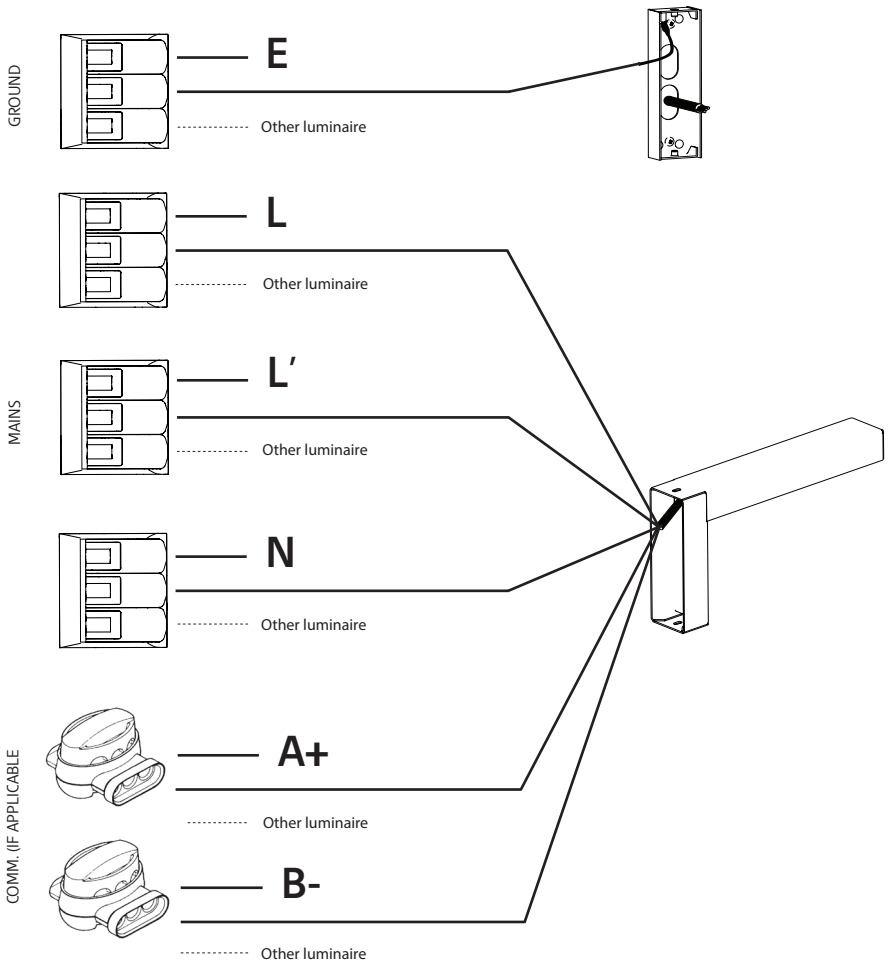


1



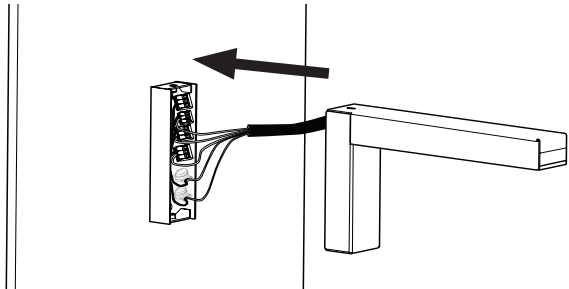


Choose correct connectors according your own luminaire type.
 Comm. connectors are needed only for products with controllers or telecommands.

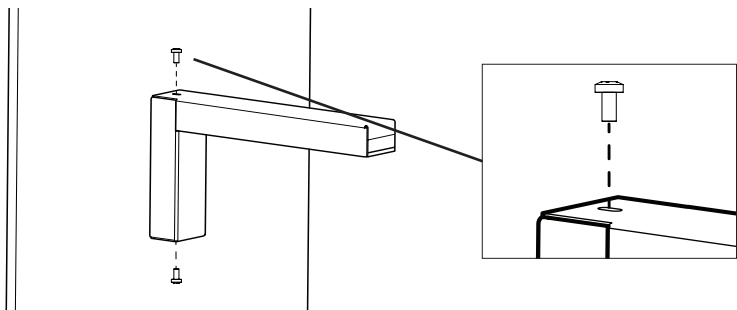


3

a



b



c

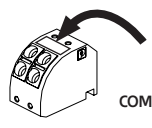
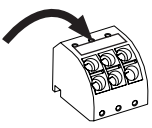
AT / ATL / CGL+ VERSIONS :

L' N L

OR

CG-S VERSIONS :

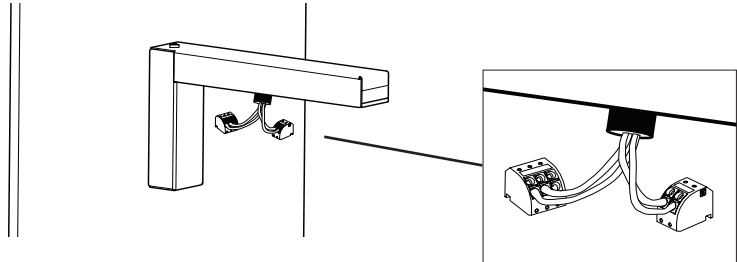
L N



A+ B-

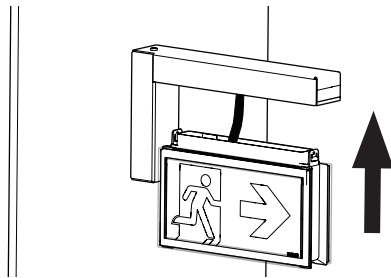
COMM. (IF APPLICABLE)

d

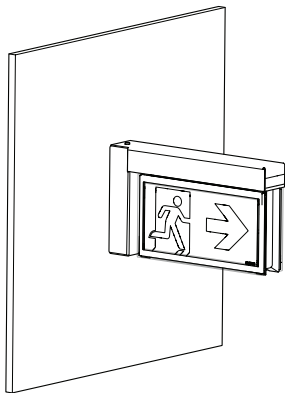


Please refer to the luminaire manual for more information regarding installation and cabling.

e



Please refer to the luminaire manual for the complete installation.



	COMPATIBLE WITH FT EC & CC	COLOR
FT2ECCC-WB	20M	WHITE
FT2ECCC-WB-B	20M	BLACK
FT2ECCC-WB-DG	20M	DARK GREY
FT2ECCC-WB-S	20M	SILVER
FT3ECCC-WB	30M	WHITE
FT3ECCC-WB-B	30M	BLACK
FT3ECCC-WB-DG	30M	DARK GREY
FT3ECCC-WB-S	30M	SILVER

EATON

Powering Business Worldwide

Eaton
Cooper Sécurité SAS
PEE II - Rue Beethoven - BP10184
63204 RIOM CEDEX FRANCE
Tél. +33 (0)825 826 212 (0,15 € TTC/min)
www.cooperfrance.com
www.eaton.com

© 2022 Eaton
All Rights Reserved

ZNO2063600 B - 10/2022

Eaton is a registered trademark.

All trademarks are property
of their respective owners.



WEEE: Contact your local dealer

Eaton.com/recycling

