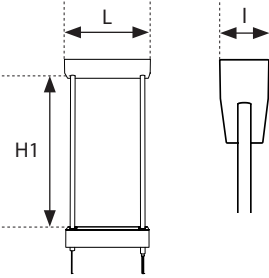
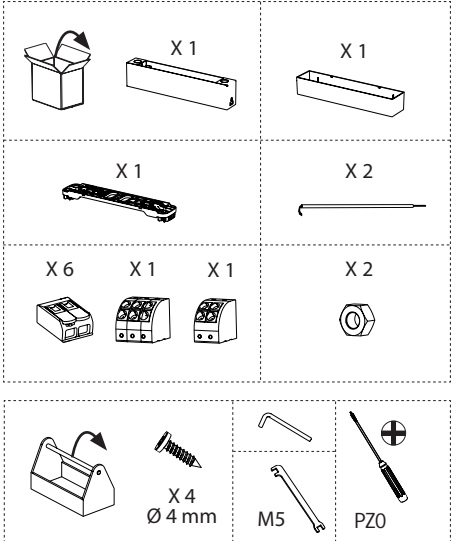


Tube Suspension Kit

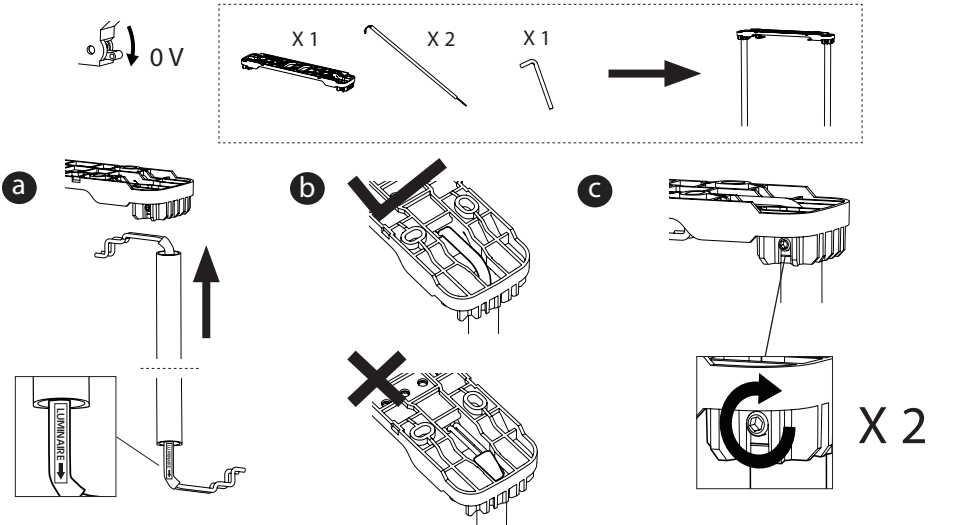
Compatible with FlexiTech EC & CC, 20M & 30M

	FTECCC-TSK-50	FTECCC-TSK-150
H	50cm	150cm
L	24cm	24cm
I	4,8cm	4,8cm





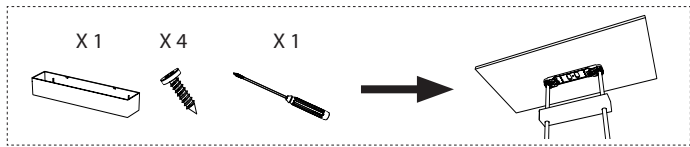
1



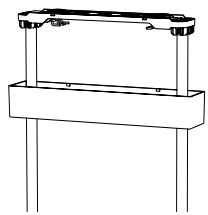

Powering Business Worldwide



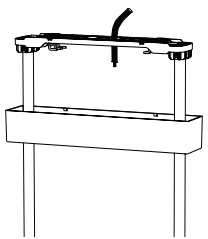
2



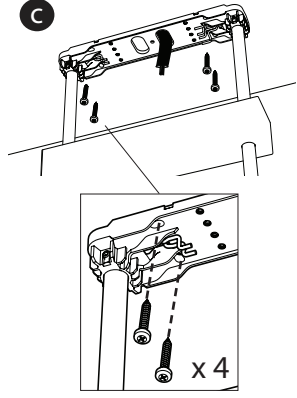
a



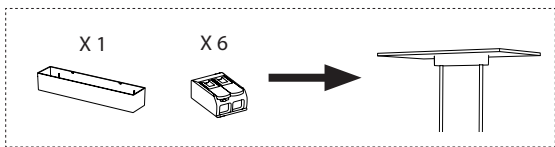
b



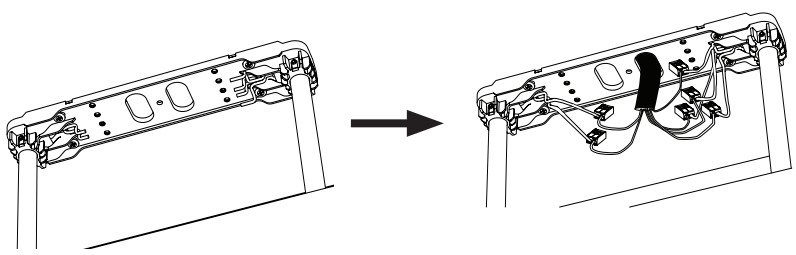
c

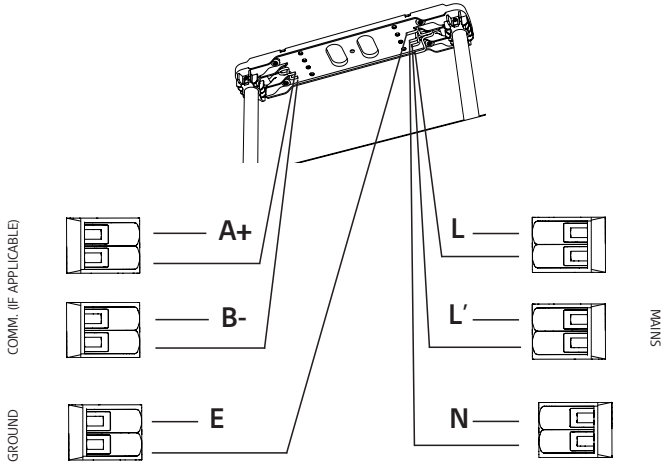


3

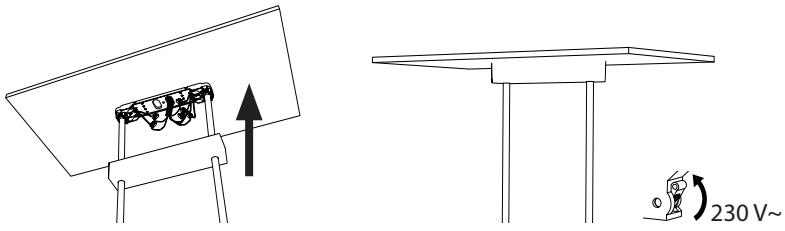


a

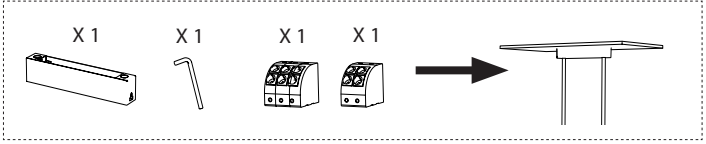




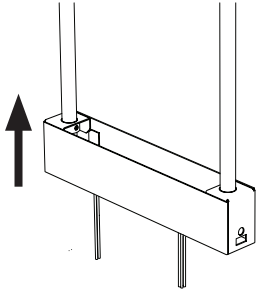
b



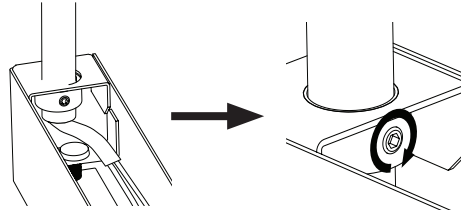
4



a

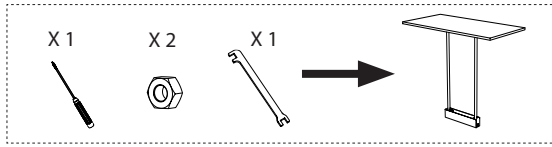


b

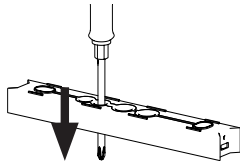
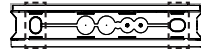


X 2

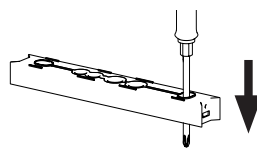
5



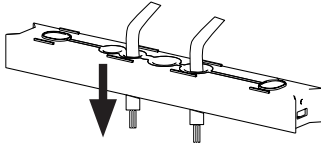
a



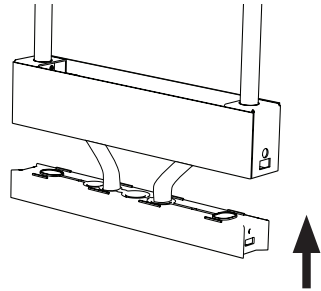
+



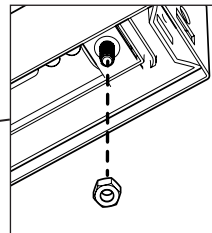
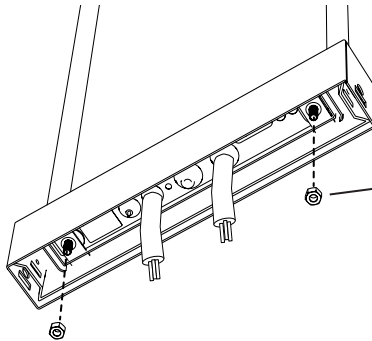
b



c



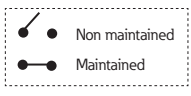
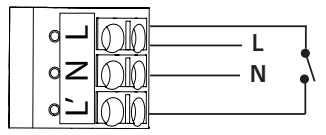
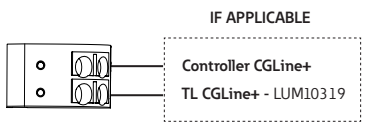
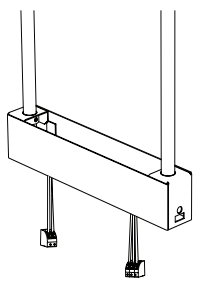
d



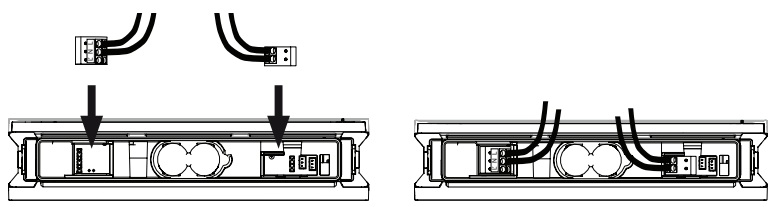
X 2

6

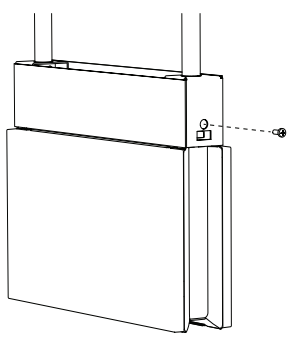
a



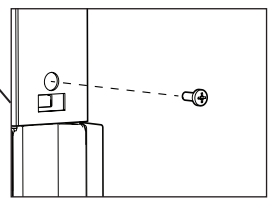
b



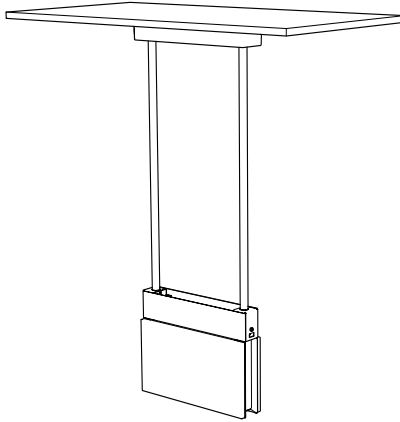
c



Please see the luminaire user manual for complete installation and configuration.



X 2



	COMPATIBLE WITH FT EC & CC	COLOR
FTECCC-TSK-50	20M & 30M	WHITE
FTECCC-TSK-50-B	20M & 30M	BLACK
FTECCC-TSK-50-DG	20M & 30M	DARK GREY
FTECCC-TSK-50-S	20M & 30M	SILVER
FTECCC-TSK-150	20M & 30M	WHITE
FTECCC-TSK-150-B	20M & 30M	BLACK
FTECCC-TSK-150-DG	20M & 30M	DARK GREY
FTECCC-TSK-150-S	20M & 30M	SILVER

EATON

Powering Business Worldwide

Eaton
Cooper Sécurité SAS
PEE II - Rue Beethoven - BP10184
63204 RIOM CEDEX FRANCE
Tél. +33 (0)825 826 212 (0,15 € TTC/min)
www.cooperfrance.com
www.eaton.com

© 2022 Eaton
All Rights Reserved

ZNO2063700 A - 11/2022

Eaton is a registered trademark.

All trademarks are property
of their respective owners.



WEEE: Contact your local dealer

Eaton.com/recycling

